



## HC1100 Steaming Hot Water Tap

At the pull of a lever, the HC1100 steaming hot water tap can produce filtered cold water and steaming hot filtered water up to 98°C and sits neatly alongside your main tap. Ideal for making hot drinks, cleaning, preparing pasta and more.

### Features

- Dispenses up to 98°C filtered steaming hot water, which is perfect for hot drinks and countless kitchen tasks
- Dispenses cold filtered water
- Safe, multi step hot water handle
- Additional to your main tap
- Efficient use of space and time
- Easy to install
- Available in chrome and brushed steel
- 2 year tap and tank guarantee

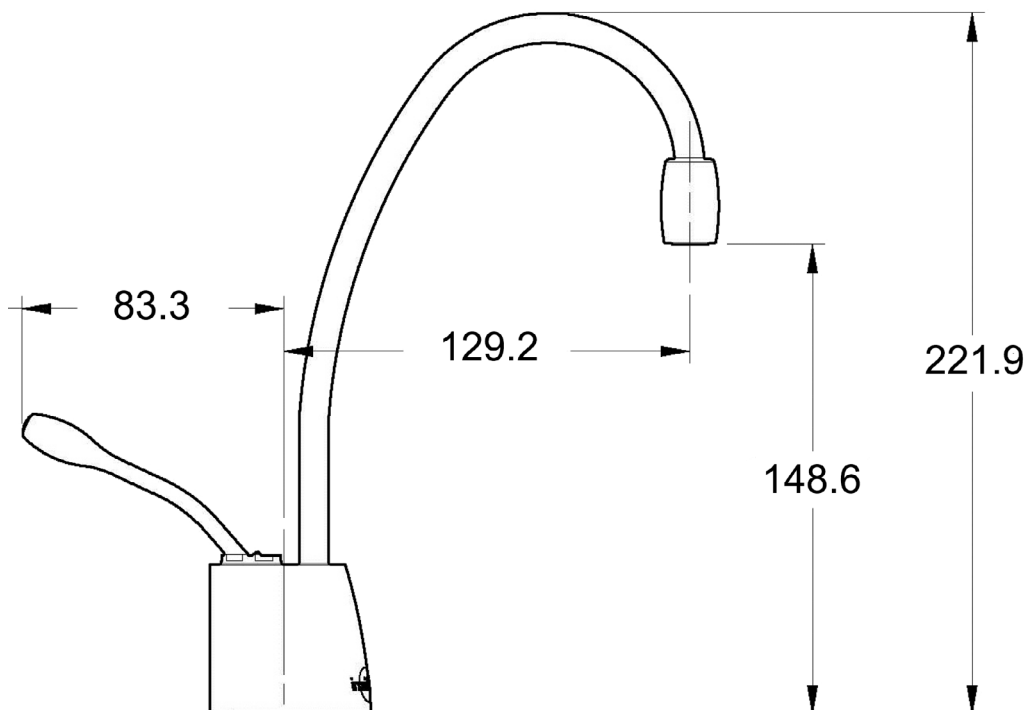
## PRODUCT SPEC SHEET

HC1100  
Steaming Hot  
Water Tap

## Specifications

- Required Hole Diameter: 32mm - 38mm
- Tap Height: 213mm
- Complete installation kit
- Capacity: 2.5 Litre Stainless Steel Tank
- Ceramic valve
- Instant self closing hot valve
- Durable all brass faucet construction
- 172-862 kPa (1.7-8.6 bar) (25-125 psi)
- Compatible with InSinkErator hot water tank and F-701R water filter

## Dimensions (mm)



InSinkErator  
Suite 10, Building 6  
Hatters Lane  
Croxley Green Business Park  
Watford, Herts WD18 8YH  
United Kingdom  
Sales tel: 01923 297 880  
Service tel: 0800 389 3715  
[www.insinkeratorsco.co.uk](http://www.insinkeratorsco.co.uk)

InSinkErator  
Emerson Electric Co.  
4700 21st Street  
Racine, WI 53406-5093 USA  
Sales/Service tel: +1 262-554-5432  
[www.insinkerator.com/worldmap.html](http://www.insinkerator.com/worldmap.html)

**WRAS**  
APPROVED  
PRODUCT